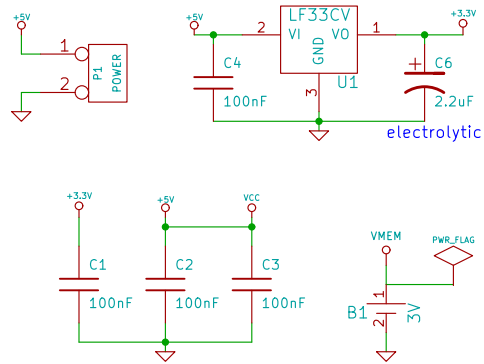
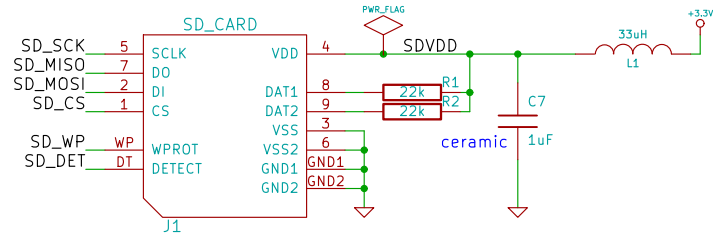


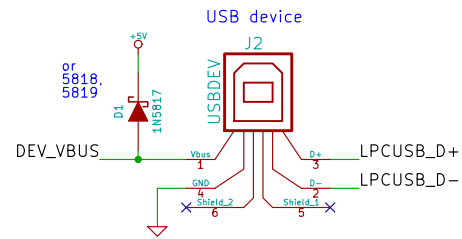
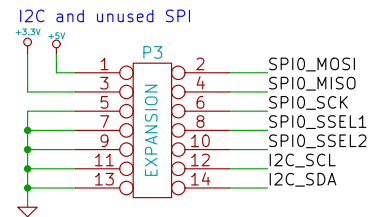
### power supply



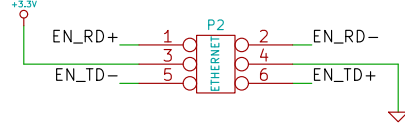
### SD slot



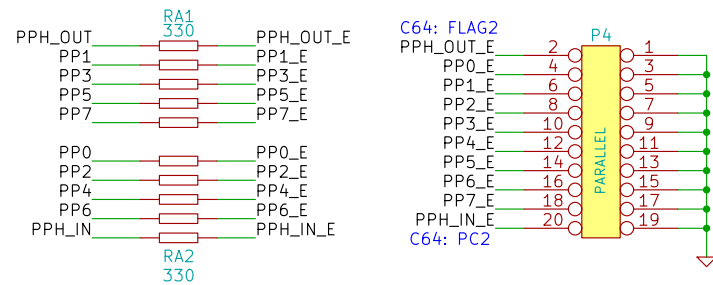
### For future extension



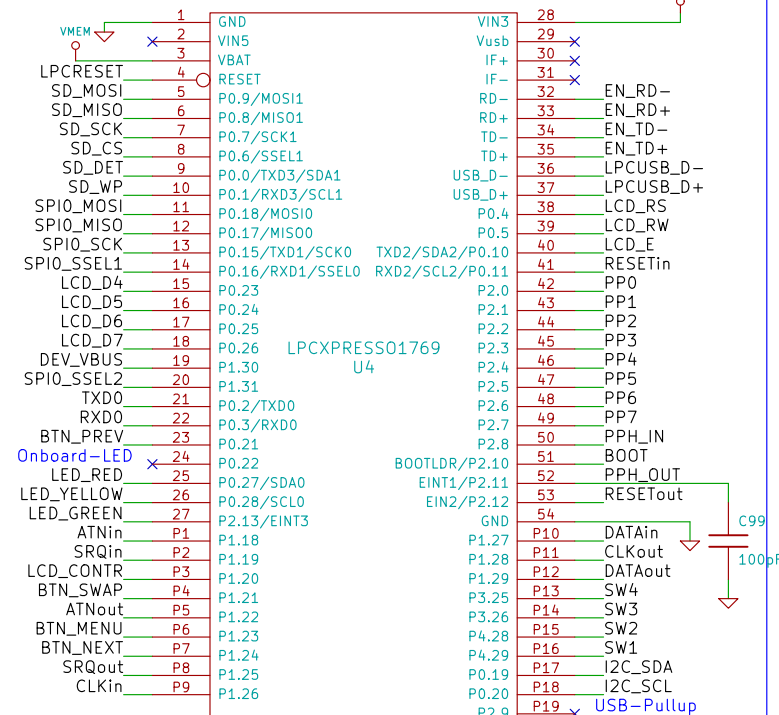
### Ethernet



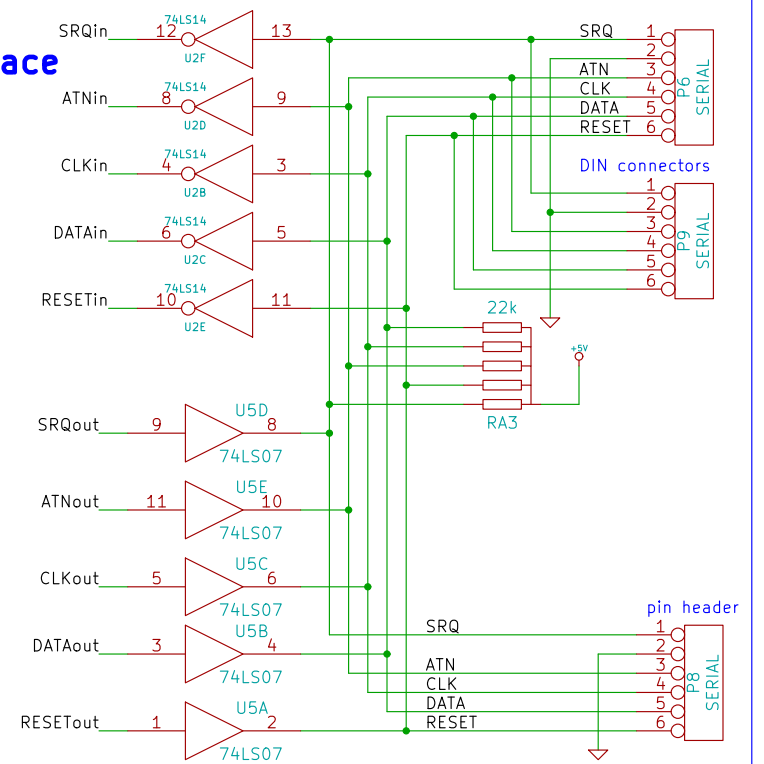
### parallel port



### LPCxpresso board

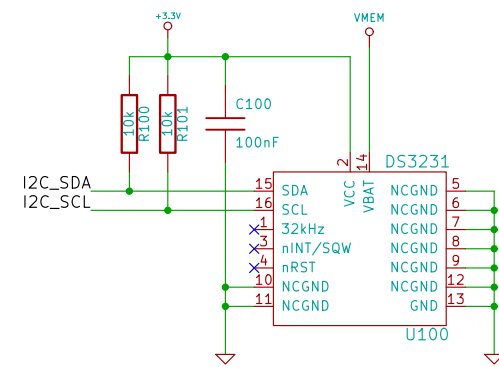


### bus interface

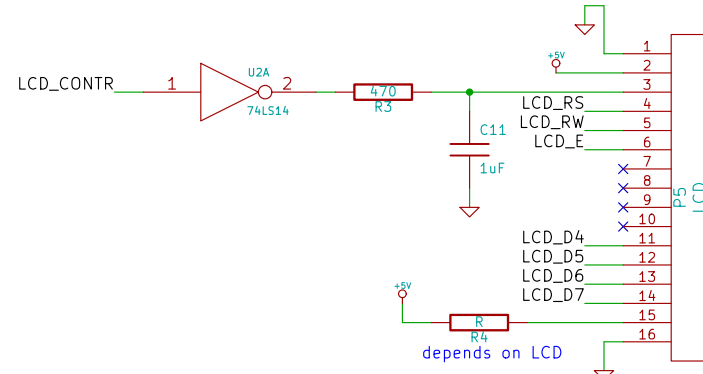


### optional high-accuracy RTC

Note: all parts in this box SMD

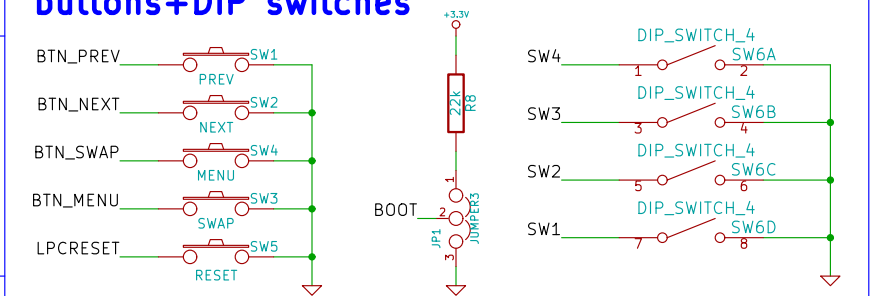


### LCD connector

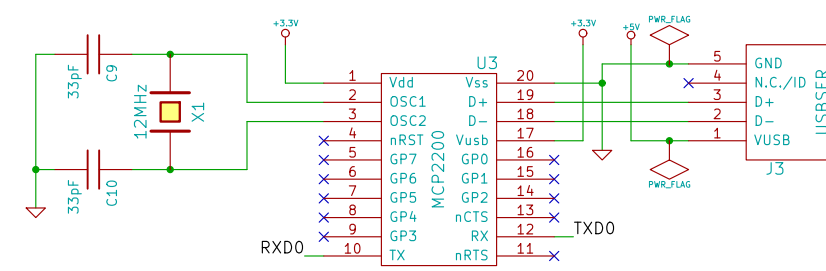


### buttons+DIP switches

FIXME: 2-Pin-Stiftleisten parallel zu Tastern?



### USB serial



### LEDs

### unused

